

PLEASE FILL OUT THE HIGHLIGHTED FIELDS AT THE BEST OF YOUR KNOWLEDGE.
 IF THIS SKETCH DOES NOT MATCH YOUR CONVEYOR LAYOUT
 PLEASE MAKE YOU OWN SKETCH

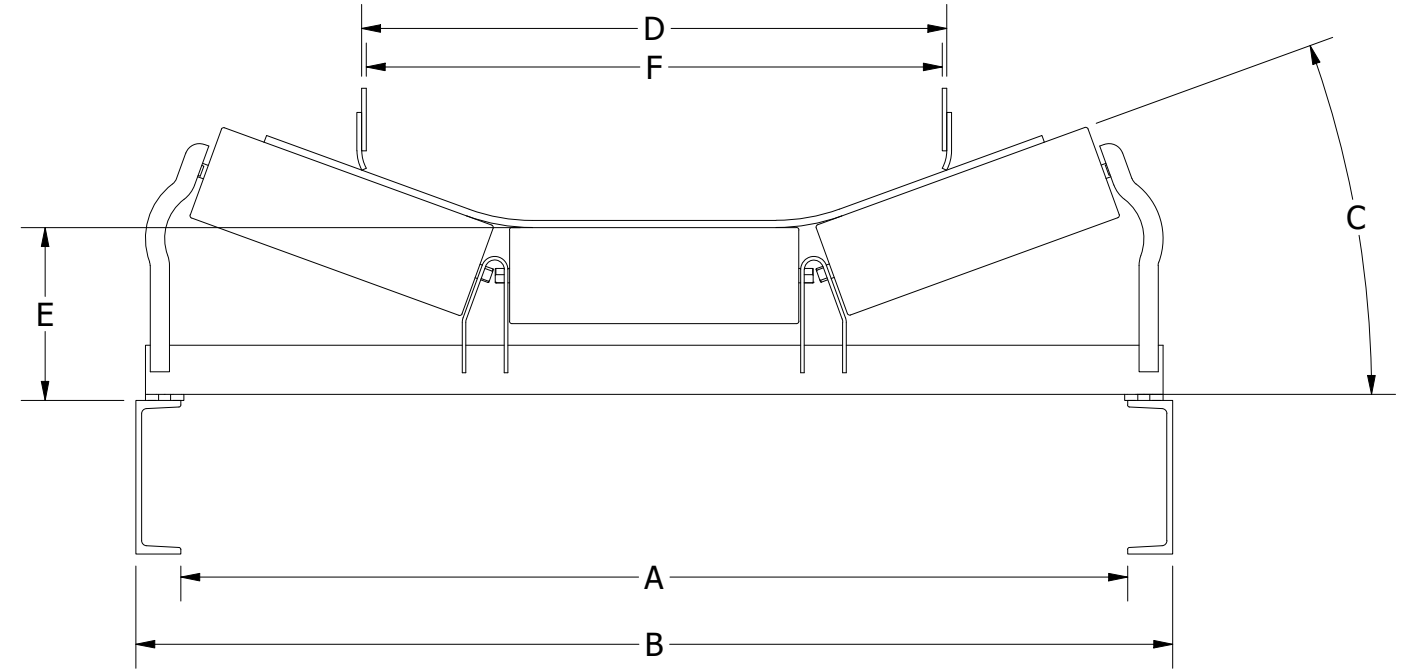
INFORMATION ON BELT AND MATERIAL HANDLED

ITEM	DIMENSION	VALUE	UNIT
BELT	WIDTH		in
	THICKNESS		in
	PIW		lb
	AMOUNT OF PLYS		
	TYPE OF SPLICE		
MATERIAL	TYPE OF MATERIALS (Iron ore, Gold, ect)		
	FLOW RATE		
	MAXIMUM LUMP SIZE		in
	% OF LUMP > 4"		%
	DROP HEIGHT		
	LUMP DENSITY (PCF)		
	BULK DENSITY (PCF)		

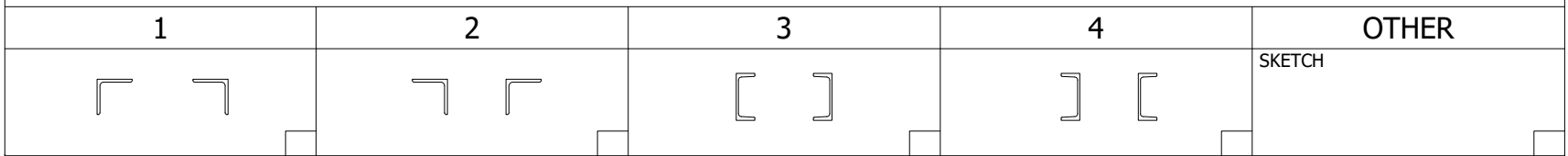
INFORMATION ON THE CONVEYOR, THE IDLERS AND THE SKIRTBOARD

ITEM	DIMENSION	VALUE	UNIT
IDLERS	TROUGH ANGLE	C	deg
	BELT LINE HEIGHT	E	in
	MANUFACTURER		
ROLLS	DIAMETER		in
SKIRTBOARD	OUTSIDE WIDTH	D	in
	INSIDE WIDTH (INCLUDING LINERS)	F	in
	IMPACT AREA LENGTH		in
	TOTAL LENGTH		in
CONVEYOR FRAME	INSIDE WIDTH	A	in
	OUTSIDE WIDTH	B	in
CONVEYOR	LENGTH		ft
	TENSIONING SYSTEM (counterweight, manual,...)		
	TENSION (force)		lb
	POWER		hp
	BELT SPEED		fpm

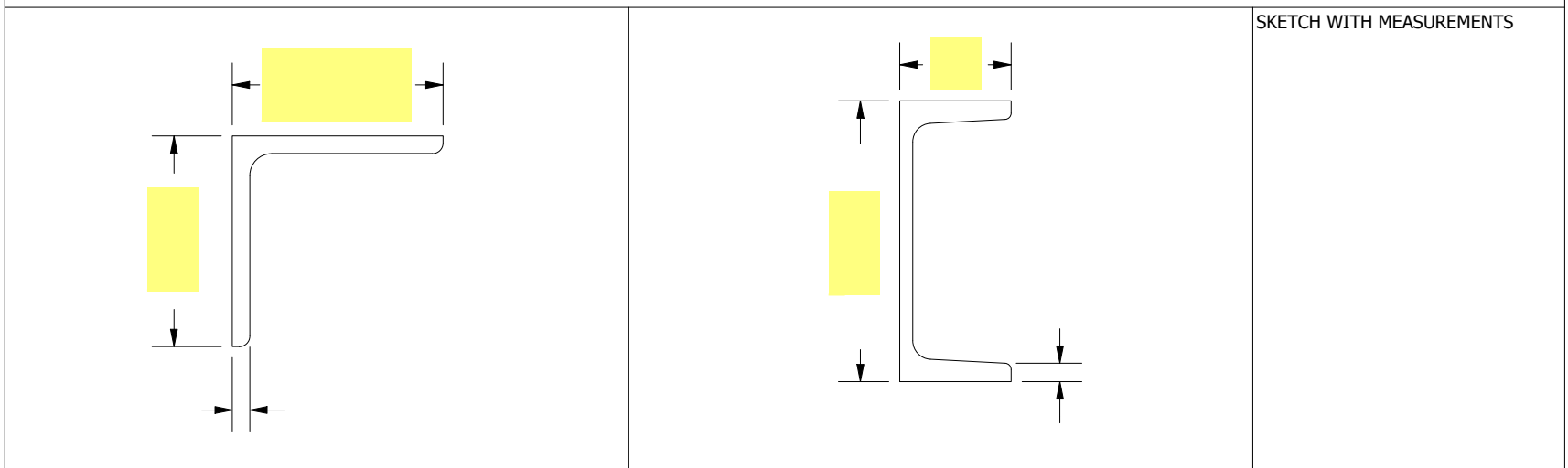
Contact name : _____ Company : _____
 Conveyor : _____ Conv. Name : _____



CIRCLE YOUR CONVEYOR STRINGER TYPE OR MAKE A SKETCH



PROFIL DIMENSIONS



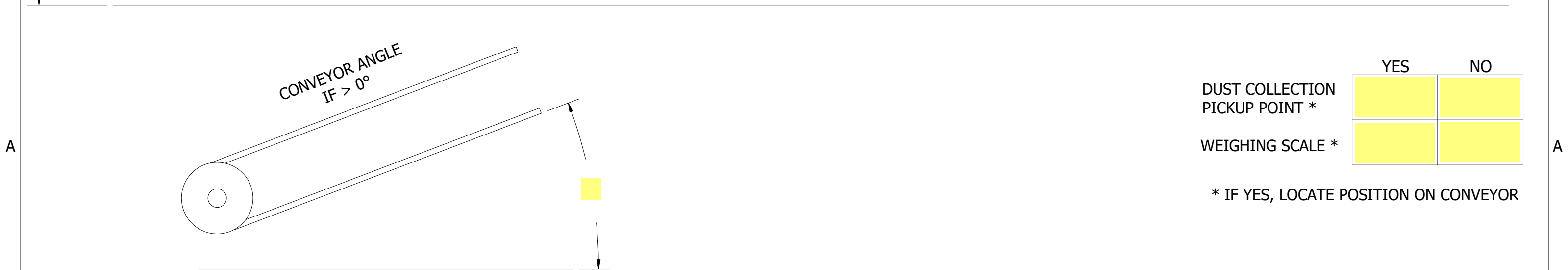
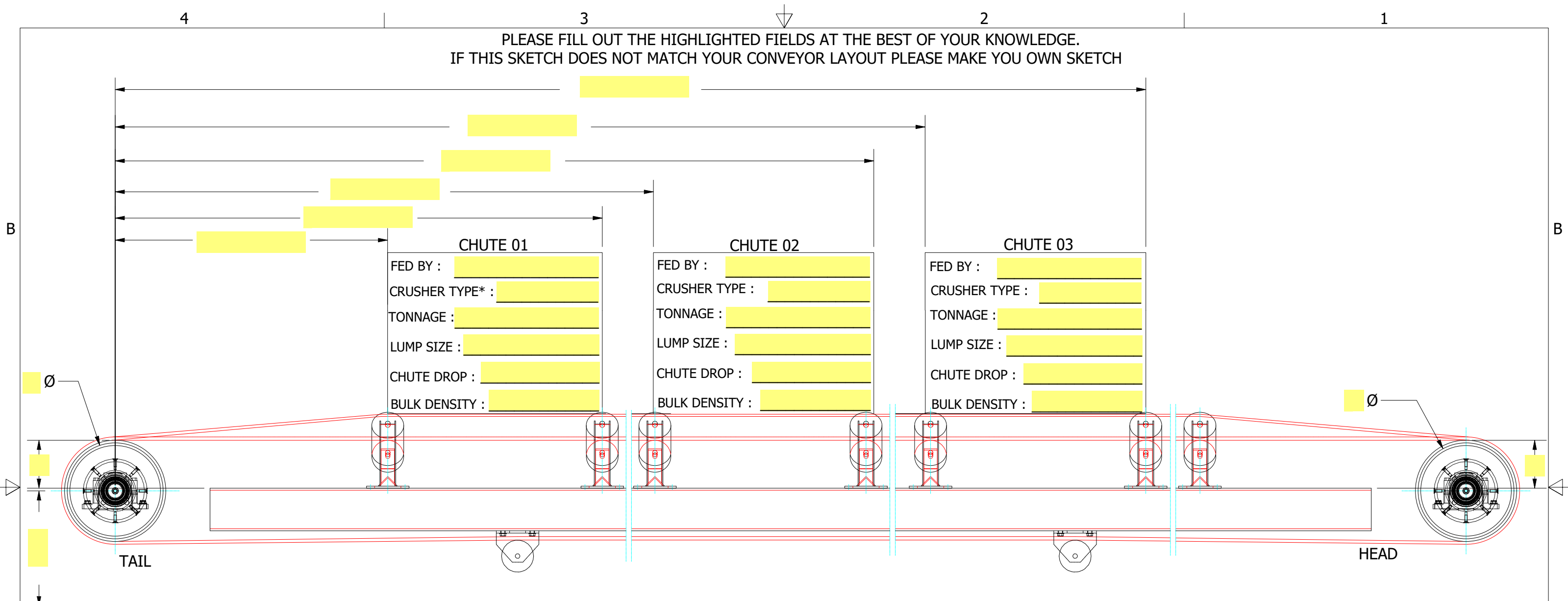
(RESERVED FOR R. BRUNONE) SPARMAT MODEL : MAT

R. BRUNONE CANADA
 1236 rue Teller Laval, Québec Canada H7C 2H2
 Tel: (514) 524-1881 Fax: (450) 661-5145

LIT D'IMPACT SPARMAT
 DATA FORM Mass: N/A 1/2

Rev	Date	Description	DESIGNER
A		Emission 1	
B			
C			
Verification		Drawing verified by :	

PLEASE FILL OUT THE HIGHLIGHTED FIELDS AT THE BEST OF YOUR KNOWLEDGE.
IF THIS SKETCH DOES NOT MATCH YOUR CONVEYOR LAYOUT PLEASE MAKE YOU OWN SKETCH



R. BRUNONE CANADA
 1236 rue Tellier Laval, Québec Canada H7C 2H2
 Tel: (514) 524-1881 Fax: (450) 661-5145
Ce dessin est la PROPRIÉTÉ des Ets BRUNONE et représente un document confidentiel qui ne peut être copié, utilisé ou divulgué sans accord préalable.

Rev	Date	Description	DESIGNER
A		Emission 1	
B			
C			
Verification		Drawing verified by :	

Mass: N/A 2/2