

# SPAR 7



## Advantages

- ◆ Belt is aligned before the tail pulley.
- ◆ Improves belt alignment at the loading point.
- ◆ Extends conveyor belt's lifespan
- ◆ Improves safety by reducing the need for human intervention to realign the belt.
- ◆ Contains no mechanical parts that must be closely monitored for wear.
- ◆ Particularly well-suited to wide and short conveyors.
- ◆ Very effective with low-speed conveyors.

## Belt guide

For many years, the SPAR7 belt guide has proven reliable at keeping belt properly aligned at the tail pulley. Having the belt properly positioned at the loading point eliminates spillage of material due to belt misalignment.

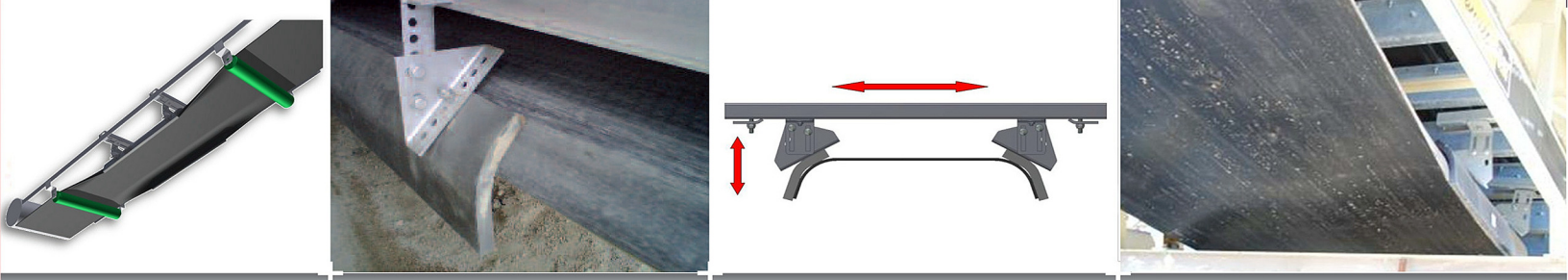
The SPAR 7 comprises 2 polyethylene rails mounted on adjustable galvanized steel brackets.

✓ May be integrated into new, existing or reversible conveyors.

✓ Available for 18" belts and wider.

✓ Belt speed of up to 400'/min

Contact us if your application does not meet the specifications mentioned above.

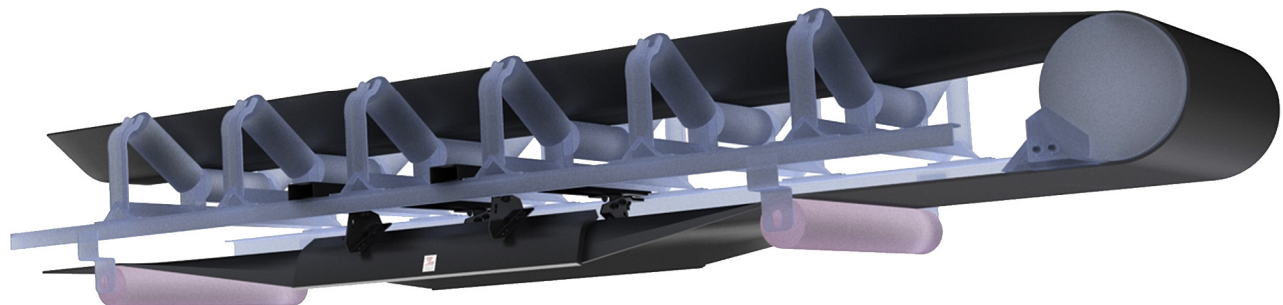


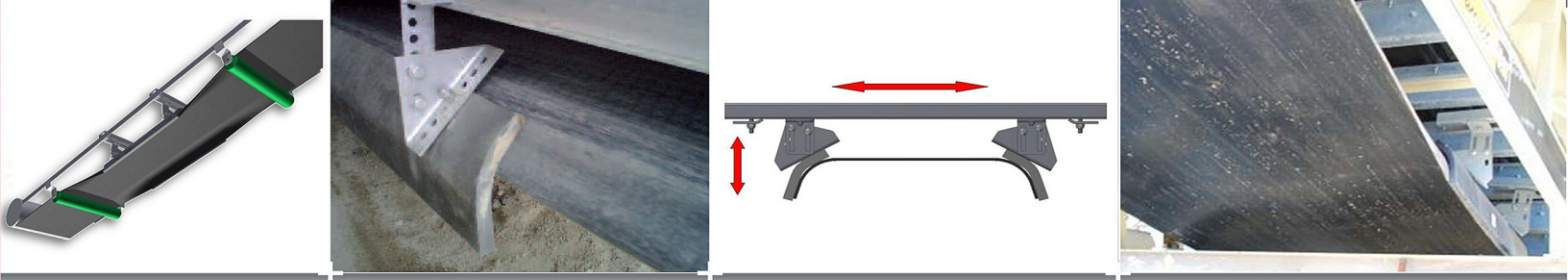
## Design



The SPAR 7 belt guide was designed for maximum efficiency and minimal maintenance. It uses no mechanical parts that can become encrusted with debris and must be closely monitored to be kept clean. The tension produced by the inverted trough formed by the SPAR 7 slide rails is sufficient to keep the belt aligned.

The SPAR7 belt guide is built to last. The sturdy and resistant materials used in its construction guarantee its longevity, as well as extend the lifespan of your installations.



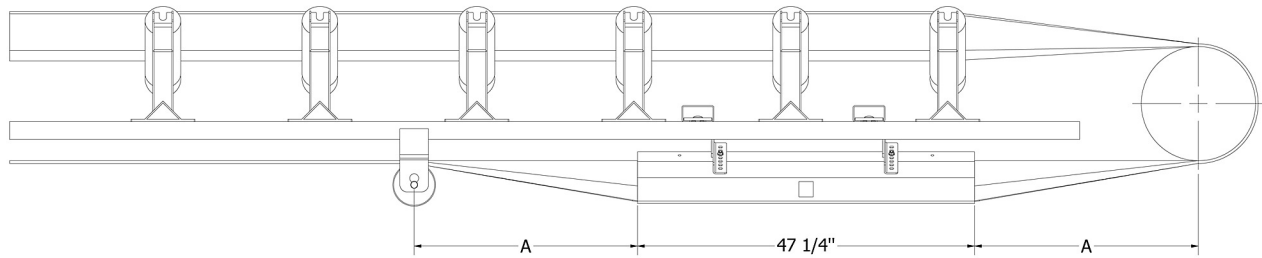


## General layout

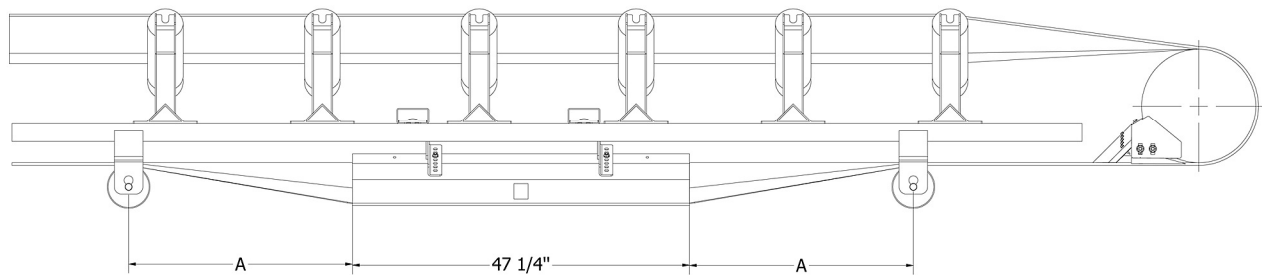
The SPAR 7 belt guide's location will vary depending if your conveyor is equipped with a SPAR 4 rock deflector from BRUNONE. It can be located directly in front of the tail pulley or in between two return idlers.

Refer to the plan below for more details on the correct configuration or contact us for assistance.

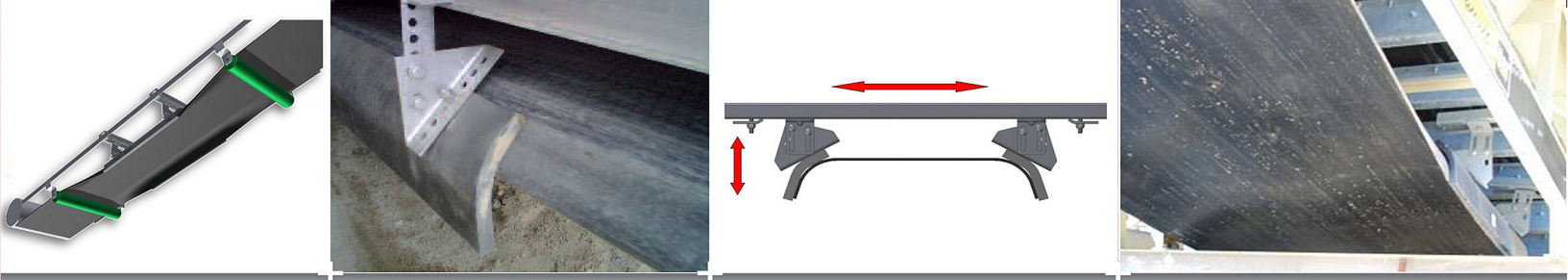
Detail - SPAR 7 location when the tail pulley is not equipped with a SPAR 4 rock deflector



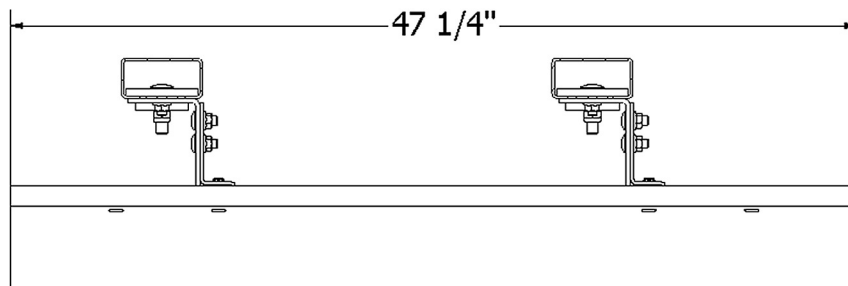
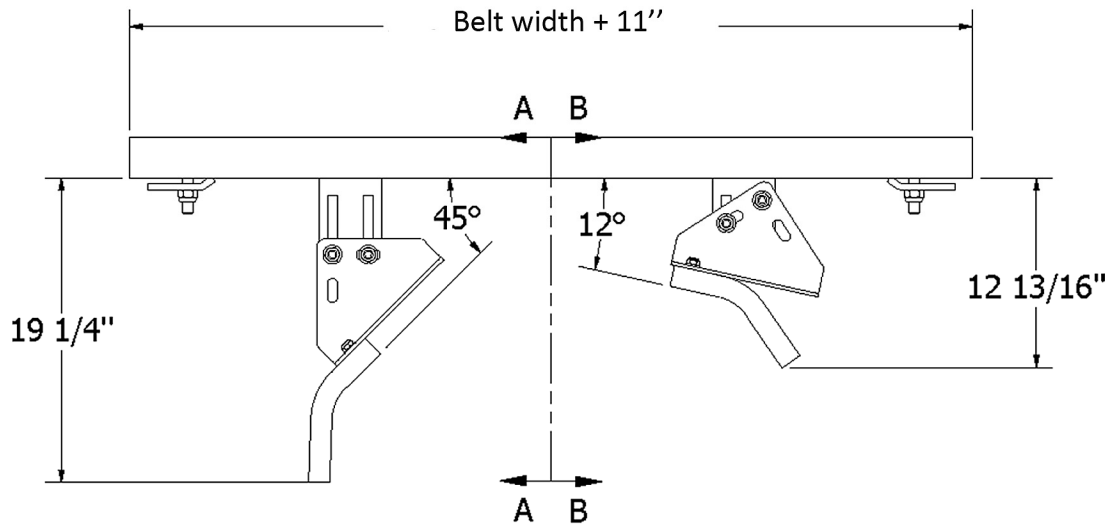
Detail - SPAR 7 location when the tail pulley is equipped with a SPAR 4 rock deflector



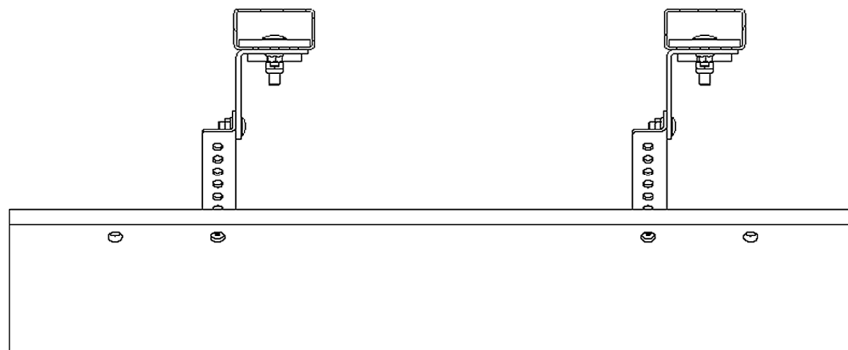
\*Dimension «A» will vary between 3' to 8'.



## General layout - SPAR 7



B-B



A-A

We do not warrant that our guards will meet all local codes. It is the responsibility of the end user to have them checked by a local inspector.



**R. BRUNONE CANADA**

bulk handling - dust control - integrated safety

1236 Tellier

Laval - Québec - H7C 2H2

Phone: 514-524-1881

Fax: 450-661-5145

E-mail: [info@brunone-na.com](mailto:info@brunone-na.com)

Website: [www.brunone-na.com](http://www.brunone-na.com)