



SPAR 4

ADVANTAGES



- ◆ Extends belt lifespan by preventing material from slipping between the belt and pulley.
- ◆ Safe for belts using smooth pulleys*:
 - No vibration
 - Lower cost
 - less harmful to belt than wing pulleys
- ◆ Improves safety overlapping the nip point at the tail pulley.

(*) Incompatible with wing pulleys

Rock deflector

In addition to improving safety during maintenance operations carried out near the tail pulley, the SPAR 4 also prevents most material from slipping between the return strand and tail pulley.

The SPAR 4 comprises a galvanneal steel chassis and polyethylene deflector blade.

✓ May be integrated into new or existing conveyors, with practically no increase of friction and power requirement.

- ✓ Available for 18" to 48" wide belts
- ✓ 54" and wider available on request

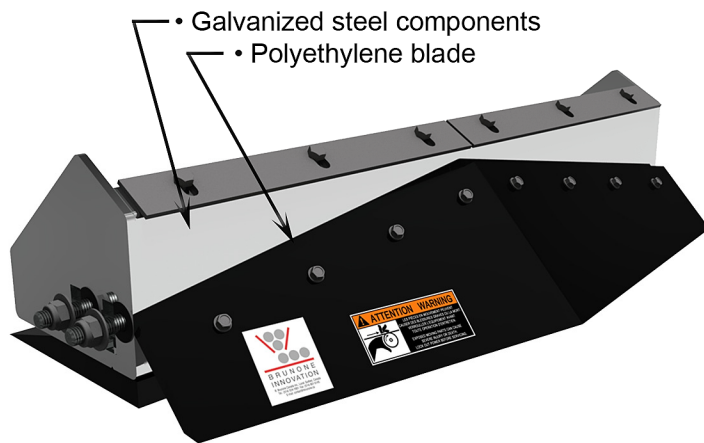
Pulley diameter:

- ✓ 10" – 24" standard
- ✓ Customized orders possible.

Contact us if your application does not meet the specifications mentioned above.

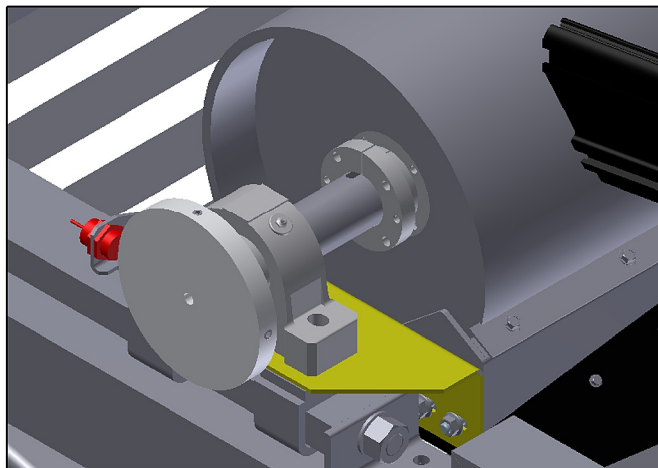


Design

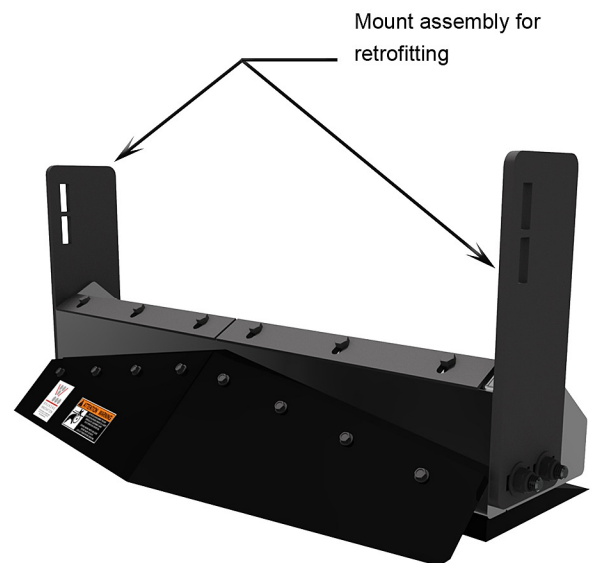


The SPAR 4 is built to last. The sturdy and resistant materials used in its construction guarantee its longevity, as well as extend the lifespan of your installations.

The SPAR 4 rock deflector is a streamlined product that can be easily installed on new and existing conveyors. A mount assembly is provided for retrofitting.



Example of a custom bracket used to mount the SPAR 4 on a pillow block type bearing.



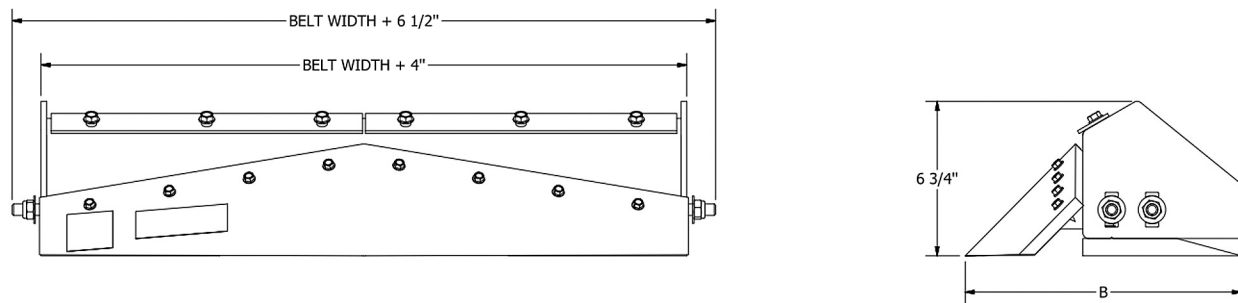


General layout

The SPAR 4 is a very compact system. However, a minimum of clearance is needed to perform its installation. The chart below gives the overall dimensions needed to evaluate the compatibility of the SPAR 4 with your conveyor.

For better results, a return idler must be at a maximum distance of 6' from tail pulley center to avoid belt sagging.

Do not hesitate to ask for our technical team's help.



Belt width	Pulley diameter						
	10"	12"	14"	16"	18"	20"	24"
18"	12 1/8"	12 1/8"	12 1/8"	13 7/8"	14 1/8"	14 7/8"	15 7/8"
24"	12 1/8"	12 1/8"	12 1/8"	12 3/4"	13"	13 3/4"	14 5/8"
30"	12 1/8"	12 1/8"	12 1/8"	12 3/4"	13"	13 3/4"	14 11/16"
36"	12 1/8"	12 1/8"	12 1/8"	12 3/4"	13"	13 1/8"	15 11/16"
42"	13 1/2"	13 1/2"	13 1/2"	14 1/8"	14 3/8"	15 1/8"	16 1/8"
48"	13 3/4"	13 3/4"	13 3/4"	14 1/4"	14 1/2"	15 3/4"	16 1/4"
54"	13 3/4"	13 3/4"	13 3/4"	14 1/4"	14 1/2"	15 3/4"	16 1/4"
60"	13 3/4"	13 3/4"	13 3/4"	14 3/8"	14 5/8"	15 3/4"	16 1/4"

Length B main values

We do not warrant that our guards will meet all local codes. It is the responsibility of the end user to have them checked by a local inspector.