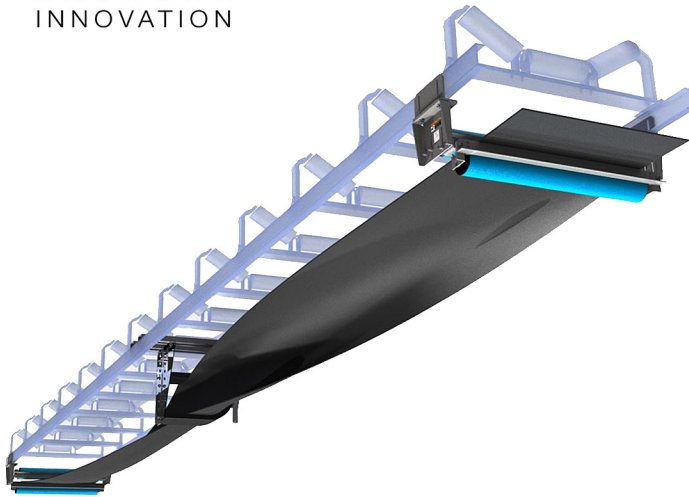




# SPAR 3

## Advantages



- ◆ SPAR 3 keeps the return idlers clean.
- ◆ Avoid spillover caused by an accumulation of material in the chassis.
- ◆ Eliminates build-up on return rollers.
- ◆ Significantly cuts maintenance costs.
- ◆ Extends equipment lifespan.
- ◆ Eliminates the need for cleaning high-risk areas.
- ◆ On stacking conveyors, prevents contamination of stockpiles under the conveyor.
- ◆ Eliminates spillover in traffic areas under the conveyors.
- ◆ Improves belt alignment.
- ◆ Belt twist process maintains the drive side of the belt clean and dry, improving the belt's grip on the driving pulley.

## Belt turnover system

The SPAR 3 is a belt turnover system that has proven effective for over 20 years. On the return strand, the SPAR 3 turns the dirty surface of the belt upwards near the drive pulley, and then returns the belt to its original position near the tail pulley. The SPAR 3 ensures that the return rollers only come in contact with the clean side of the belt. This eliminates material spillage at each return roller and also eliminates the need for costly rubber disc return rollers. A solution for reducing conveyor maintenance.

The SPAR 3 comprises pinch roller systems and two U-shaped polyethylene guides.

- ✓ May be integrated into new, existing or reversible conveyors.
- ✓ Available for 18" to 48" wide belts (SPAR 3 for 54" and 60" wide belts are also available on request).
- ✓ Compatible with most fabric belts.

Contact us if your application does not meet the specifications mentioned above.



## Design

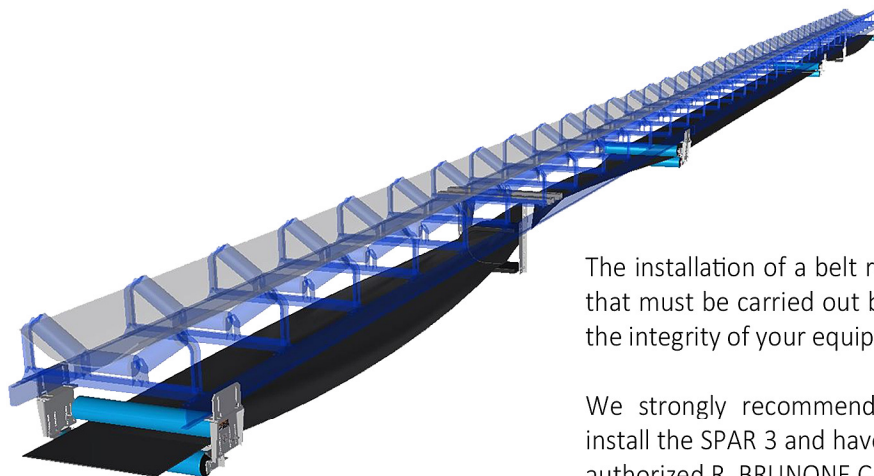
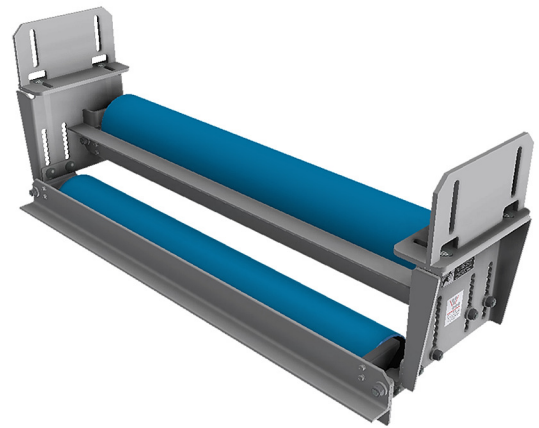


• Galvanized steel component

• Polyethylene horseshoe

The SPAR 3 is built to last. The sturdy and resistant materials used in its construction guarantee its longevity, as well as extend the lifespan of your installations.

- The pinch rollers assembly may be adapted to nearly every conveyor chassis. Each roller comprises the adjustable components needed for optimal installation.
- Idler kits are available with 6" diameter, CEMA D or E rollers.
- Heavier rollers also available on request.



The installation of a belt return system is a delicate operation that must be carried out by experienced specialists to protect the integrity of your equipment.

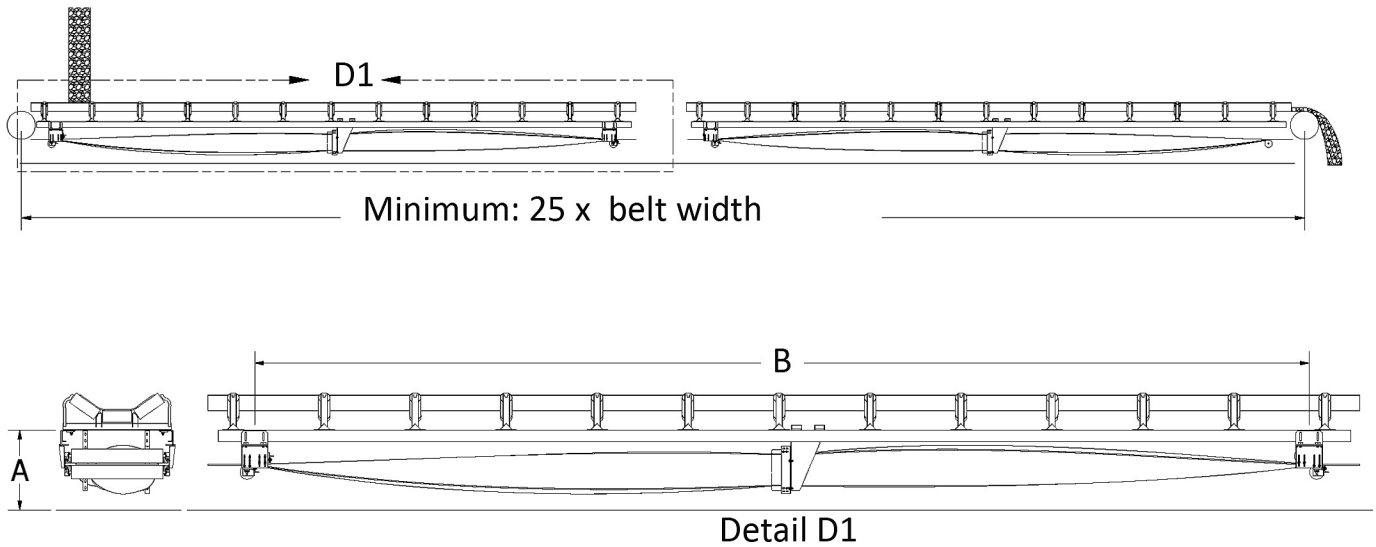
We strongly recommend you seek technical assistance to install the SPAR 3 and have the installation inspected by a duly authorized R. BRUNONE CANADA representative.



# Layout and required space

The conveyor frame must be free of any obstruction that will cause interference with the belt in the flipping transition area. (along distance "B" and height "A" shown below) All potential obstructions must be addressed before starting installation. If in doubt, contact us for technical assistance.

The table and drawings below illustrate the approximate range of distances and measurements that can be used to evaluate your application. However, you should contact our team for assistance in evaluating the compatibility of the SPAR 3 belt turnover system with your conveyor.



Belt Width	A'	A	B
18"	15"	18"	16' - 20'
24"	18"	24"	22' - 24'
30"	20"	30"	28' - 32'
36"	24"	36"	34' - 38'
42"	24"	42"	40' - 44'
48"	30"	48"	44' - 50'

**A':** MINIMUM vertical distance to flip the belt

Modifications on your conveyors' frame may be required.

**A:** Clearance in height required to flip the belt

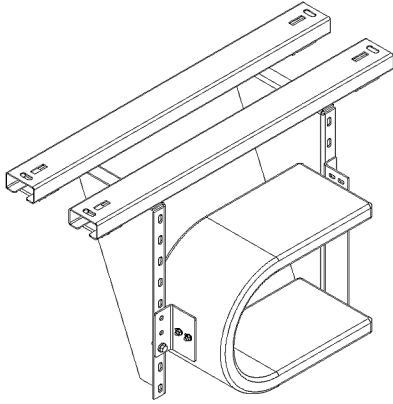
From the top of strigener to the floor or to the bottom of the truss depending on the type of conveyor frame

**B:** Pinch rollers spacing

Distance depends on belt type and conveyor tension (Contact us)

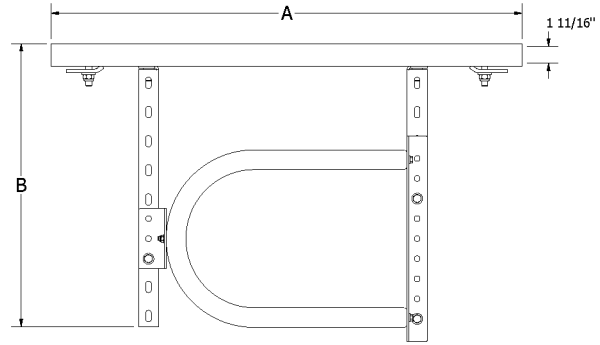
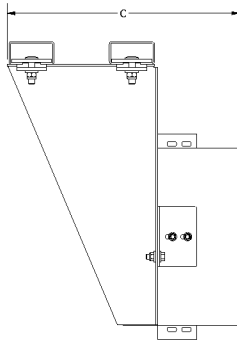


## Layout- Horseshoe kit

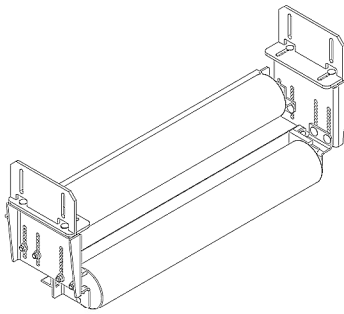


Belt width	A	B	C
18"	29"	22 1/4" - 30"	14"
24"	35"	22 1/4" - 30"	14"
30"	41"	22 1/4" - 31"	16"
36"	47"	28 1/4" - 38"	24"
42"	53"	28 1/4" - 38"	24"
48"	59"	28 1/4" - 40"	24"

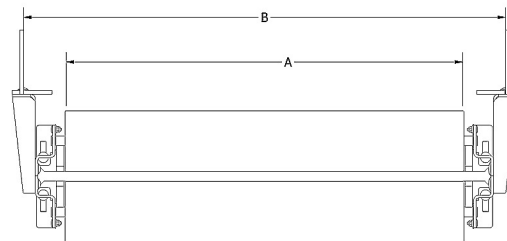
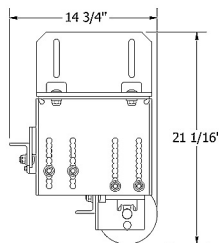
SPAR 3 horseshoe kit can be bolted or clamped on the conveyors' strigger.



## Layout- Pinch idlers



Belt width	A	B
18"	21 3/4"	24" - 34"
24"	27 3/4"	30" - 40"
30"	33 3/4"	36" - 46"
36"	39 3/4"	42" - 52"
42"	45 3/4"	48" - 58"
48"	51 3/4"	54" - 64"



We do not warrant that our guards will meet all local codes. It is the responsibility of the end user to have them checked by a local inspector.



**R. BRUNONE CANADA**

BRUNONE  
INNOVATION

bulk handling - dust control - integrated safety

1236 Tellier

Laval - Québec - H7C 2H2

Phone: 514-524-1881

Fax: 450-661-5145

E-mail: [info@brunone-na.com](mailto:info@brunone-na.com)

Website: [www.brunone-na.com](http://www.brunone-na.com)