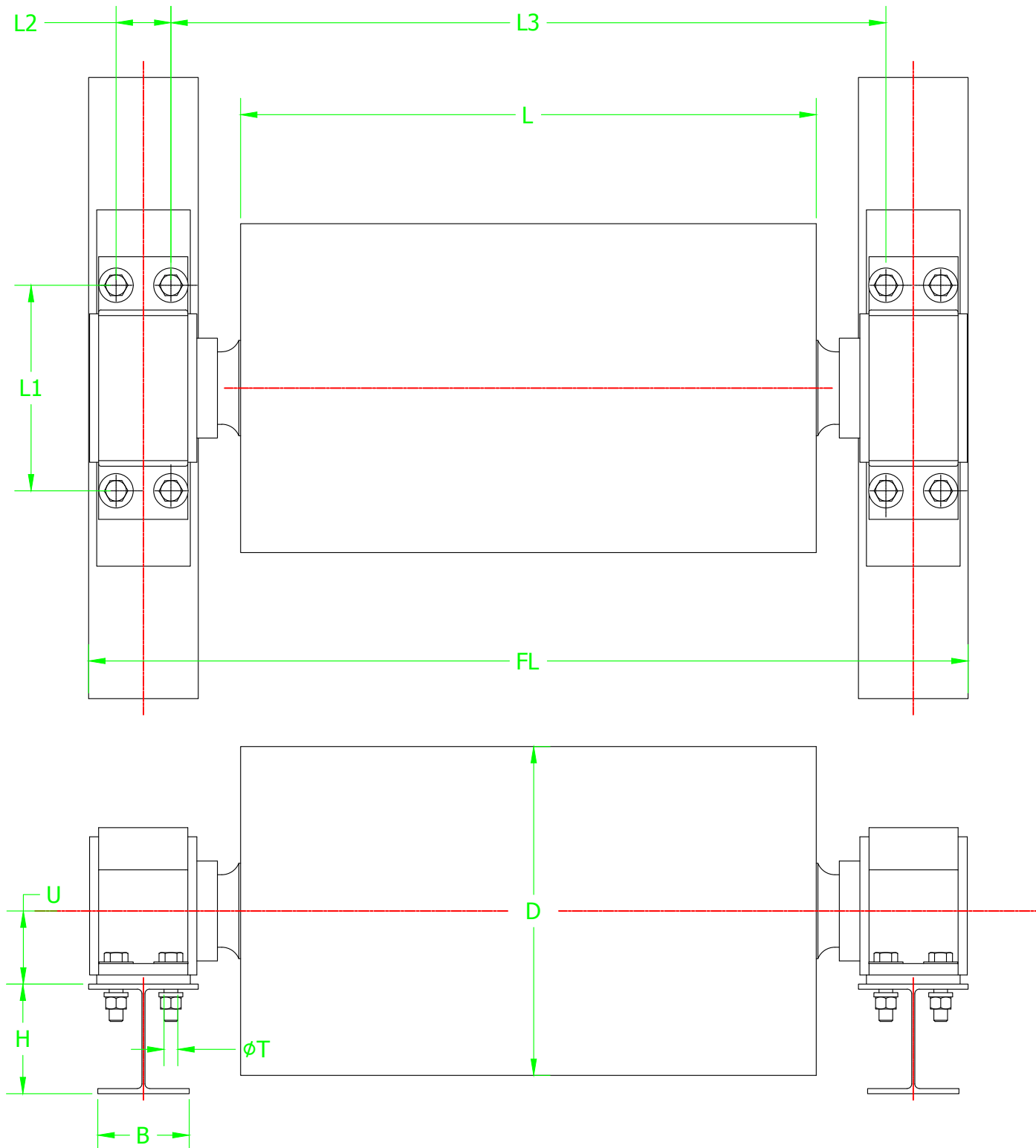


DATASHEET - SPAR 4



CONVEYER DATASHEET			
ELEMENTS	DIMENSION		VALUE
PULLEY	LENGTH	L	
	DIAMETER	D	
	HEIGHT BETWEEN CHASSIS AND PULLEY CENTER	U	
FRAME	PROFILE HEIGHT	H	
	PROFILE WIDTH	B	
	DISTANCE BETWEEN HOLES	L1	
	DISTANCE BETWEEN HOLES	L2	
	DISTANCE BETWEEN HOLES	L3	
	OUTSIDE FRAME WIDTH	LF	
	DIAMETER OF THE HOLES	T	

MATERIAL HANDLED AND BELT DATASHEET		
ELEMENTS	DIMENSION	VALUE
BELT	WIDTH	
	SPLICE TYPE - MECHANICAL , COLD VULCANIZATION OR HOT VULCANIZATION	
	BELT SPEED	
MATERIAL HANDLED	MATERIAL SIZE	

DATASHEET				
Rev	Date	Modification		VG080
A 2020-01-23 Emission 1				
R. BRUNONE CANADA			SPAR 4	Echelle: B
1236 rue Tellier Lével, Québec H7C 2H2 Tel: (514) 524-1881 Fax: (450) 661-5145			Validation a l'indice A le par	