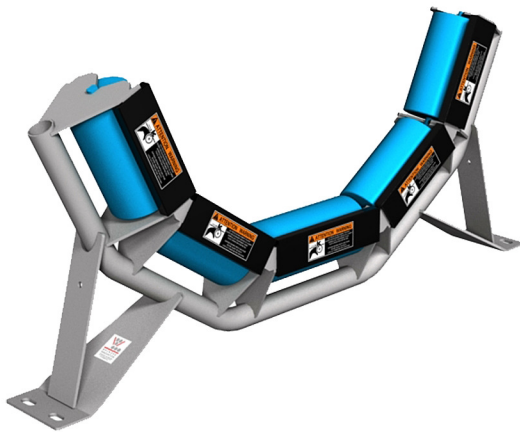




MS SPAR

Advantages



- ◆ Optimizes loading capacity.
- ◆ When used with hoods, the MS SPAR reduces safety concerns caused by material roll back on inclined conveyors.
- ◆ Improves belt alignment

Deep troughing idler system

The MS SPAR is a deep troughing idler system based on an innovative design that combines productivity and safety.

The MS SPAR optimizes conveyor capacity and material centring, thanks to the deep trough of this system that can be achieved without modifying belt width.

The MS SPAR comprises a galvanized steel stand and five rollers. Polyethylene or rubber skirts and a galvanized steel hood may be added to minimize spillage.

- ✓ May be integrated into new or existing conveyors
- ✓ Available for 24" to 48" wide belt
(Available for 54" belt and wider on request)

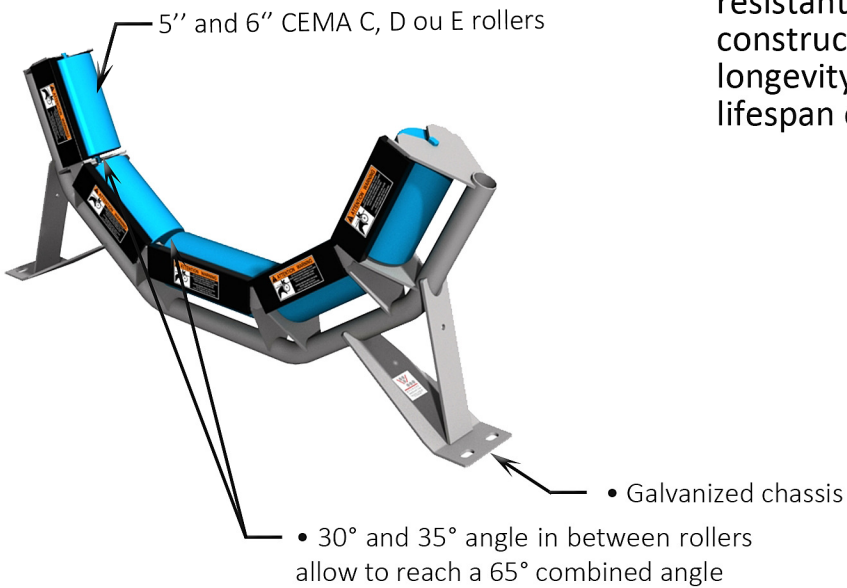
MS SPAR is compatible with the TRANSPAR containment system and the different BRUNONE loading points.

Contact us if your application does not meet the specifications mentioned above.

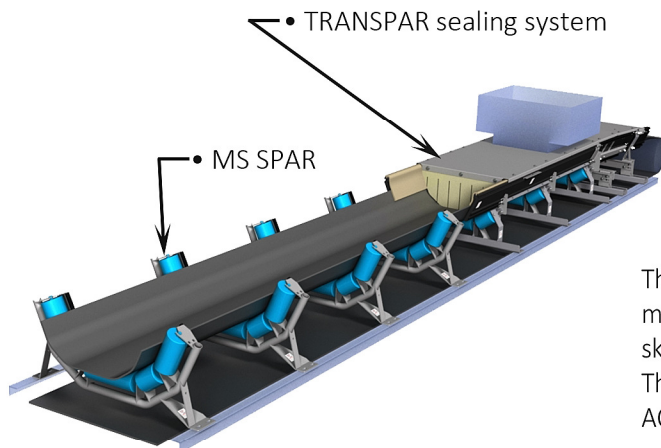
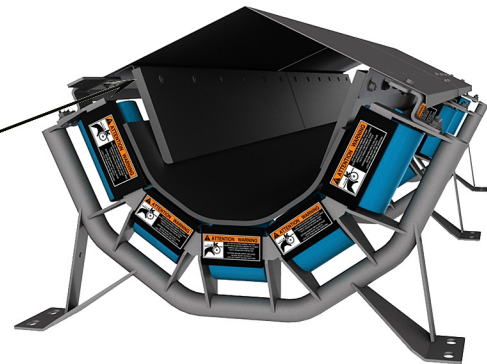


Design

The MS SPAR deep troughing idler is built to last. The sturdy and resistant materials used in its construction guarantee its longevity, as well as extend the lifespan of your installations.



- Optional internal skirts and covers decrease material loss and give a better visual control on rollers.
- Inlet skirt may be made in rubber or in polyethylene depending on the targeted proofness.

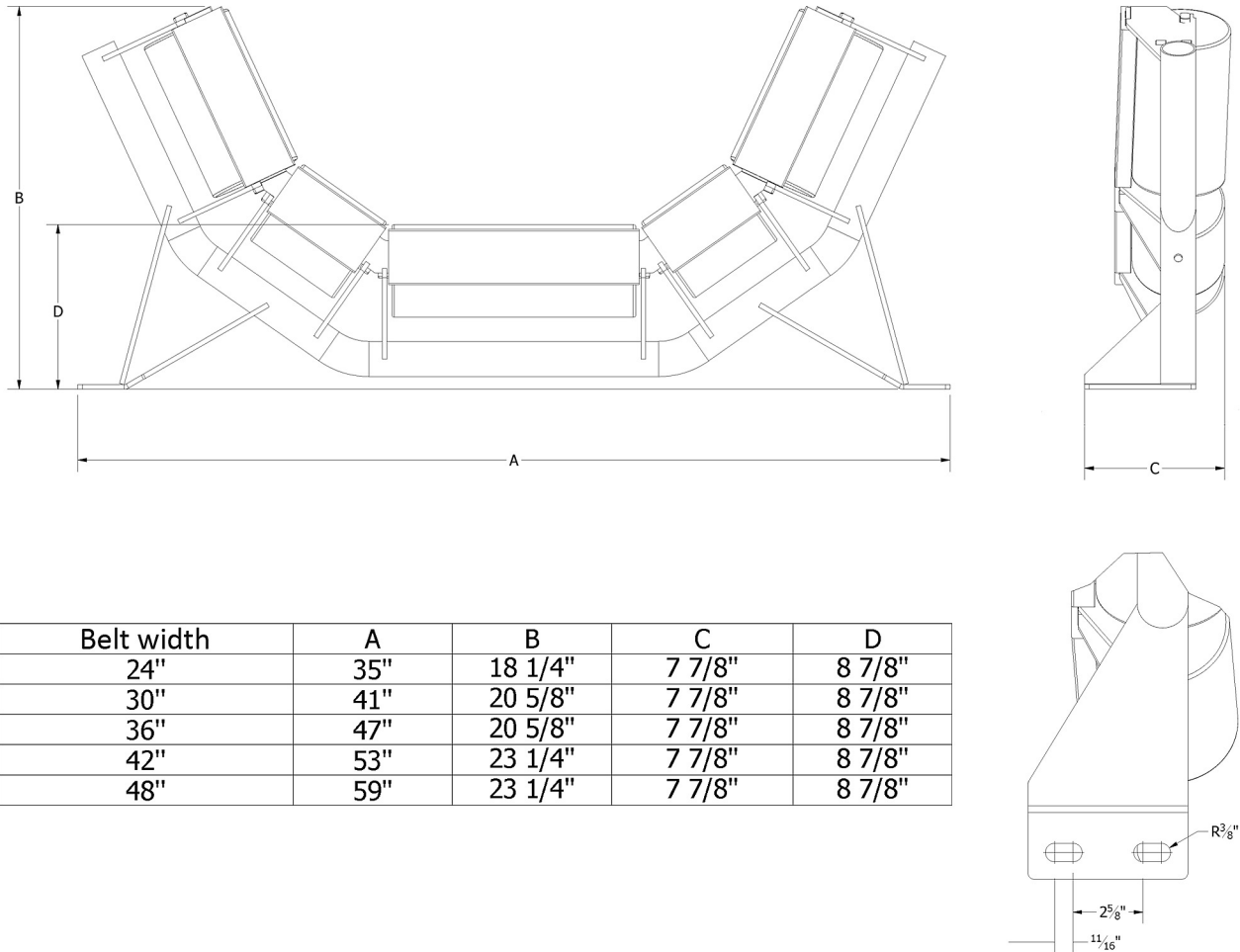


The MS SPAR deep trough idler requires only minimal maintenance, even when equipped with the hood and skirts.

The MS SPAR may be used with the TRANSPAR and SPAR AC systems.



General layout*



Belt width	A	B	C	D
24"	35"	18 1/4"	7 7/8"	8 7/8"
30"	41"	20 5/8"	7 7/8"	8 7/8"
36"	47"	20 5/8"	7 7/8"	8 7/8"
42"	53"	23 1/4"	7 7/8"	8 7/8"
48"	59"	23 1/4"	7 7/8"	8 7/8"

MS SPAR is compatible with most fabric belts with a 45° troughing capability.

(*) With 5" rollers

We do not warrant that our guards will meet all local codes. It is the responsibility of the end user to have them checked by a local inspector.