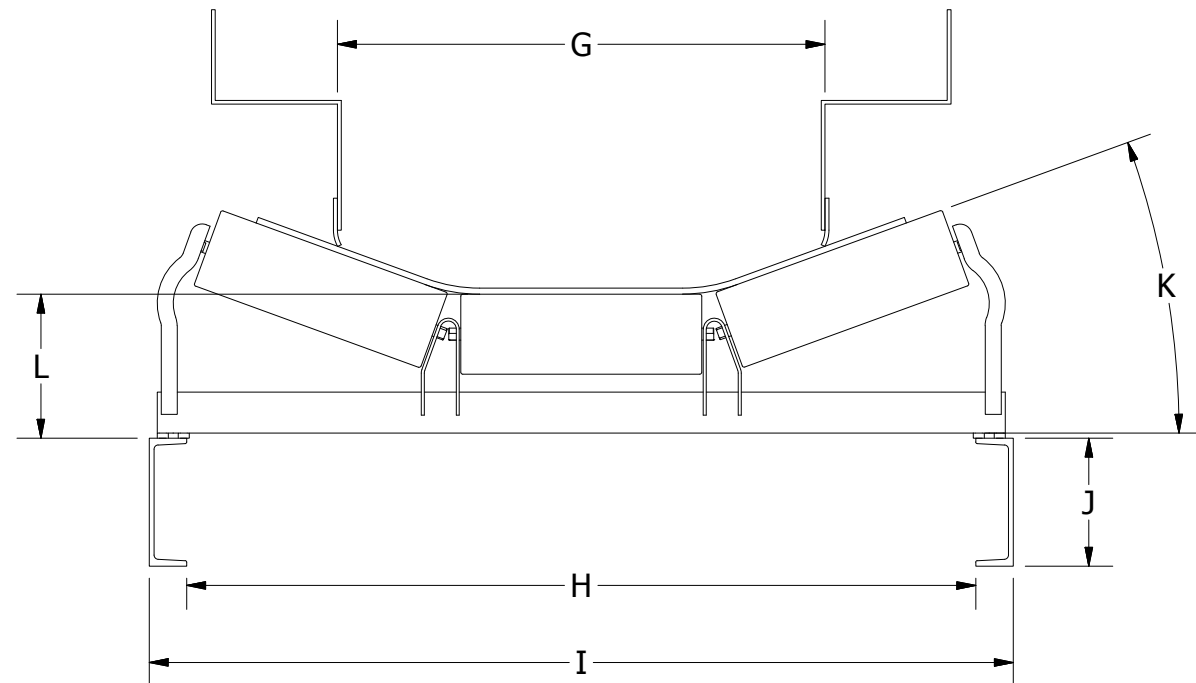


SPARMAT IMPACT BED DATA FORM

INFORMATION ON BELT AND MATERIAL HANDLED				
ITEM	DIMENSION		VALUE	UNIT
BELT	WIDTH			in
	THICKNESS			in
	PIW			LB
	AMOUNT OF PLYS			
	DESCRIBE TYPE OF SPLICE	MECHANICAL OR VULCANISED		
MATERIAL	FLOW RATE			tph
	MAXIMUM LUMP SIZE			in
	% OF LUMP > 4"			%
	DROP HEIGHT			in



INFORMATION ON THE CONVEYOR, THE IDLERS AND THE SKIRTBOARD				
ITEM	DIMENSION		VALUE	UNIT
IDLERS	TROUGH ANGLE		K	deg
	BELT LINE HEIGHT		L	in
	MANUFACTURER			
ROLLS	DIAMETER			in
SKIRTBOARD	OUTSIDE WIDTH		G	in
	IMPACT AREA LENGTH			in
	TOTAL LENGTH			in
CONVEYOR FRAME	INSIDE WIDTH		H	in
	OUTSIDE WIDTH		I	in
	CHANNEL HEIGHT		J	in
CONVEYOR	LENGTH			ft
	TENSIONING SYSTEM (counterweight, manual, ...)			
	TENSION (force)			lb
	POWER			hp
	SPEED			fpm

FRAME				
1	2	3	4	OTHER

DATA FORM		2013-06-06		Emission 1	N.PALMER
Rev	Date	Modification		DESIGNER	
R. BRUNONE CANADA bulk handling - dust control - integrated safety 1236 rue Teller Lévis, Québec H7C 2H2 Tel: (514) 524-1881 Fax: (450) 661-5145				SPARMAT IMPACT BED SCALE: 1/12 Format: B	
<small>This drawing is the confidential PROPERTY of R. Brunone Canada Inc. and shall not be duplicated, copied, reproduced or disclosed without authorized permission from R. Brunone Canada Inc. This document is to be returned upon request.</small>				Validation has revision A ON 2014-05-27 BY PSA A 1/1	